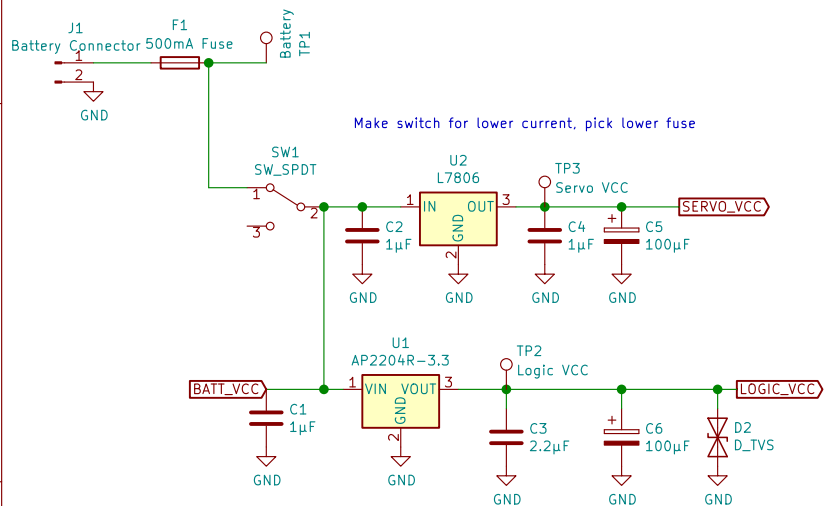
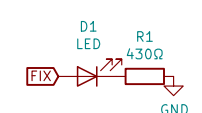
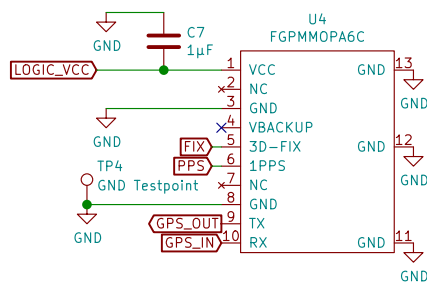


# Power Supply

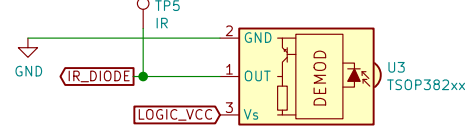
Servo regulator likely not needed, keeping anyway for footprint



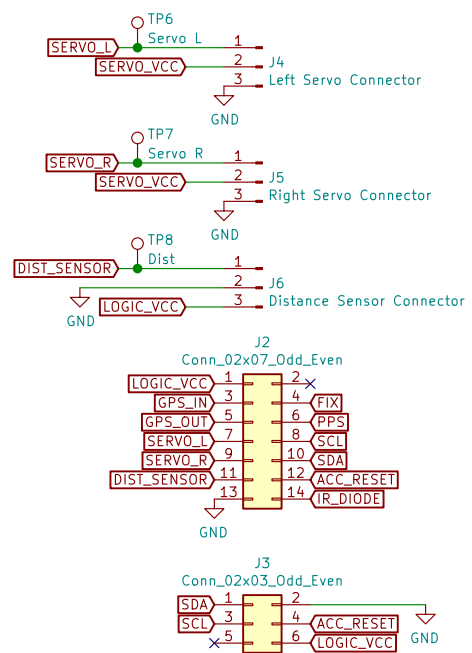
# GPS



# IR Sensor



# Connectors



# Glider – Main PCB

Sheet: /		File: Glider.sch	
<b>Title:</b>			
Size: A4	Date:	Rev: 0.1	
KiCad E.D.A. kicad (6.0.0-rc1-dev-1198-gbc4e4a484)		Id: 1/1	